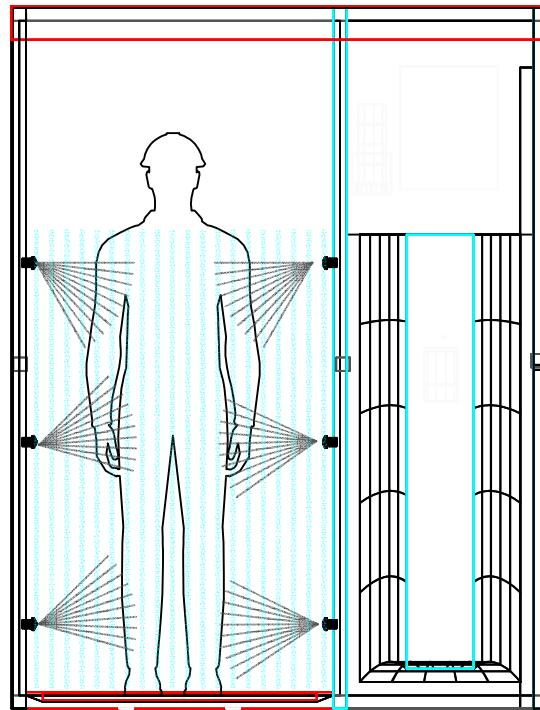
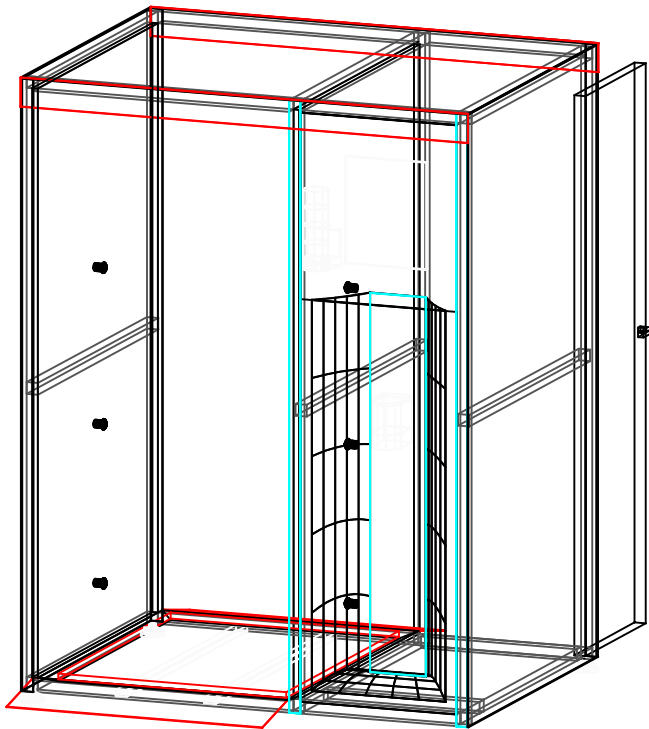


# DISINFECTION CABIN



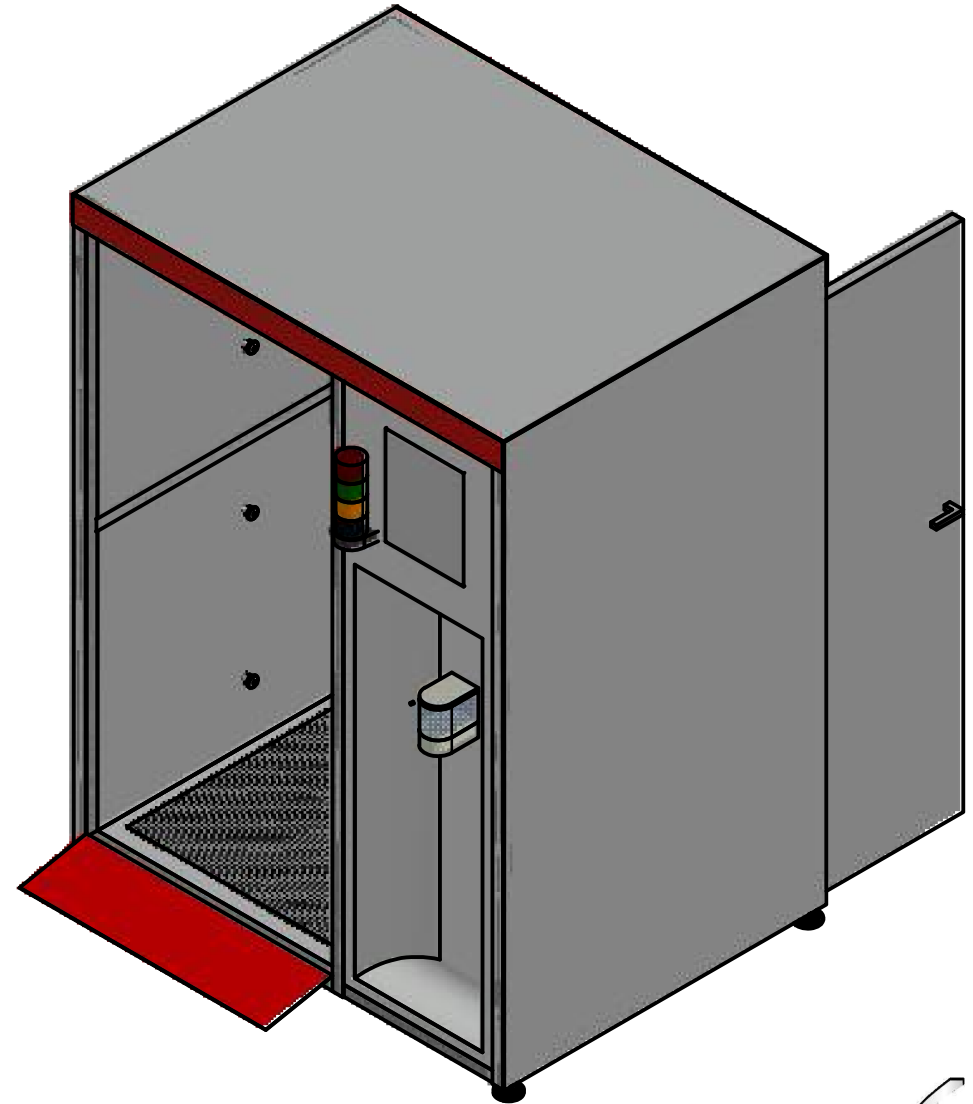
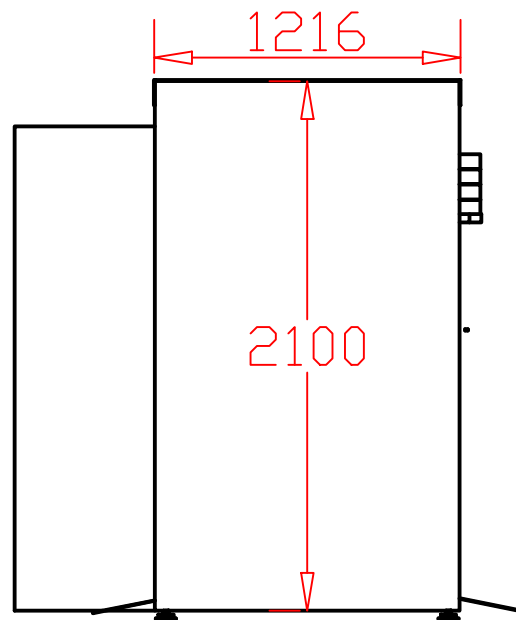
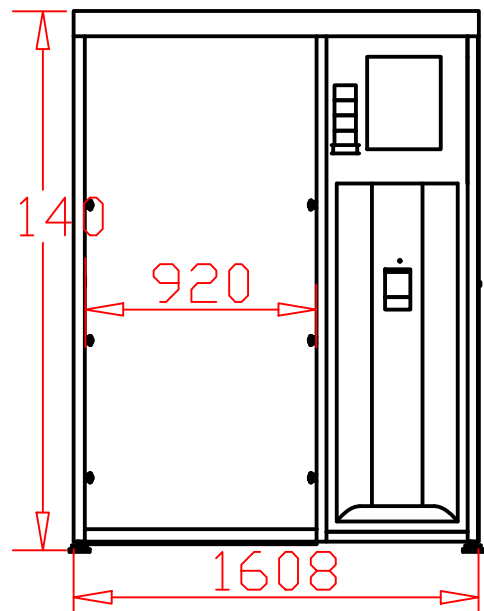
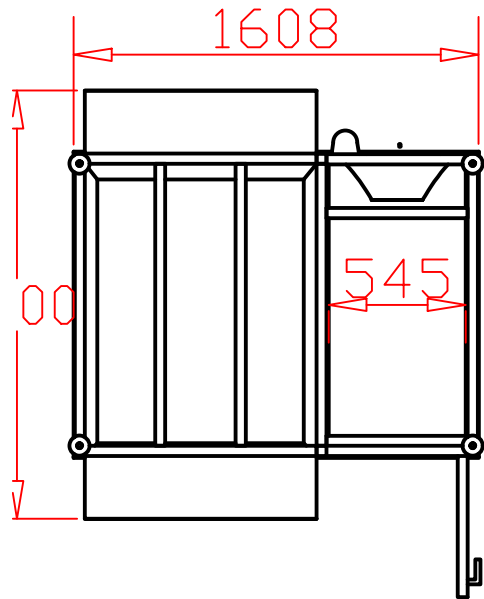
## WHAT IS DISINFECTION CABIN ?

The cabin is a safe protection system that can be installed in all public places, offices, supermarkets, factory-entrance, airports, hospitals, ports, stations etc. for hyganizing people and materilas.

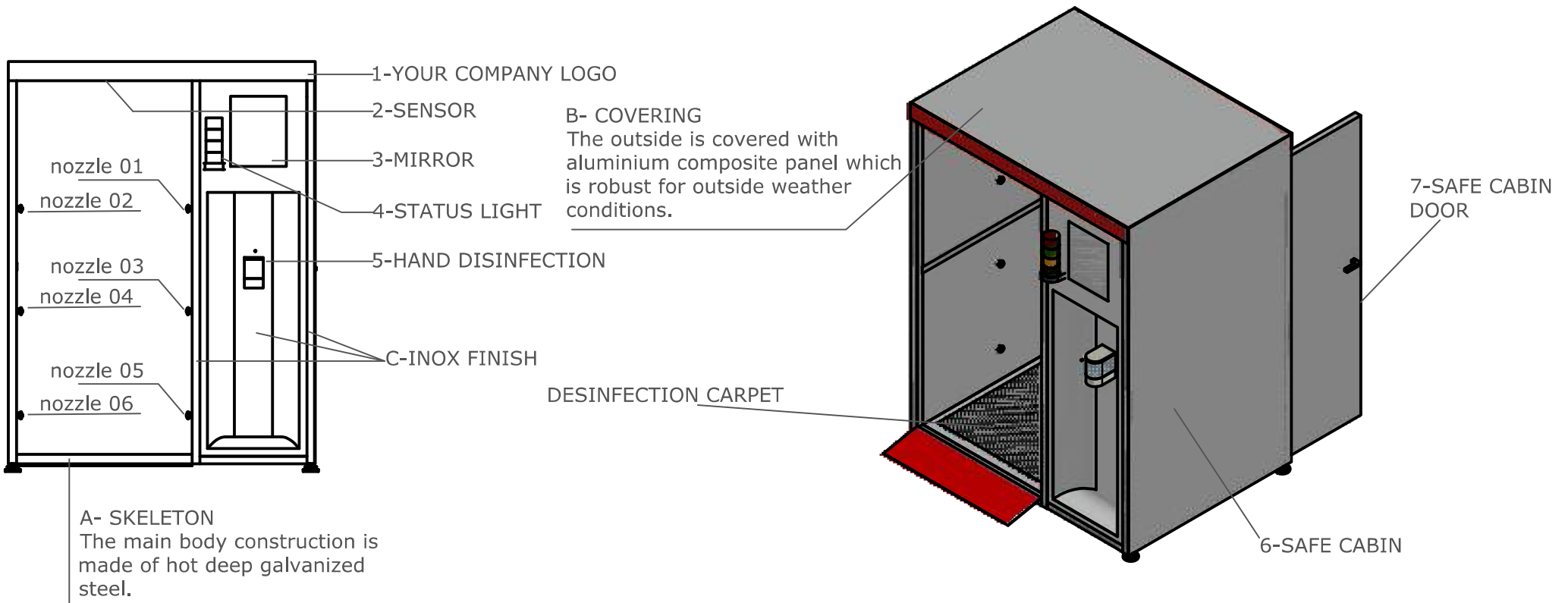
## HOW IT WORKS ?

The tunnel is equipped with nozzles connected to high-pressure hose that supplies the sanitizing product. **Access to the tunnel is regulated by a traffic-light and process is triggred by the motion sensor.**

# STANDART SIZES



# TECHINCAL DETAILS



**2-MOVEMENT SENSOR**  
 The desinfecton by the movement sensor when a person enters in the cabin and the sensor triggers the electrical equipments for desinfection which lasts 5 sec.

**3-STATUS LIGHT**  
 The status light warns the person if the tunnel is ready for passge, if it is active and disinfection is in progress or when in red the entrance is not allowed.

**5-HAND DISINFECTION**  
 The hand disinfection is also achieved with a sensored hand sanitizer disposal integrated in the cabin. You need only to put your hands in the place which the sensor can detect and you receive the liquids.

**6-SAFE CABIN**  
 All electronic parts, machine and sanitary stock necessary for the activation of the system are kept in the cabin closed; providing a safe way of stocking as well as clean visual atmosphere.



DO YOU WANT TO LEARN MORE ABOUT  
TEMPO DISINFECTION CABIN?

CALL US  
WE WILL BE WAITING  
TO GIVE YOU THE FASTEST SERVICE

Tempo S.A.R.L.

[www.tempo.com.tn](http://www.tempo.com.tn)

LOT n°125 Rue des Entrepreneurs - Zone Industrielle de l'Aéroport  
CHARGUIA 2 - ARIANA - TUNISIA

Tel: +216 71 940 821

Fax: +216 71 940 673

Gsm: +216 27 306 022

email: [info@tempo.com.tn](mailto:info@tempo.com.tn)

