

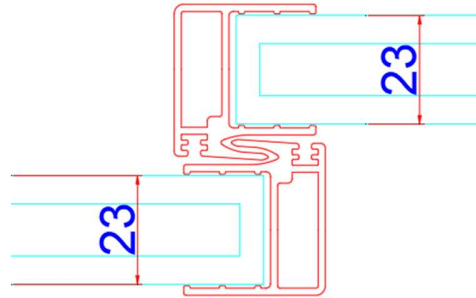


DELUXE **XL**
DOUBLE GLASS *SLIDING SYSTEM*



Glass Panel Connection

At DELUXE // Sliding, we use 23 mm tempered DOUBLE glass.

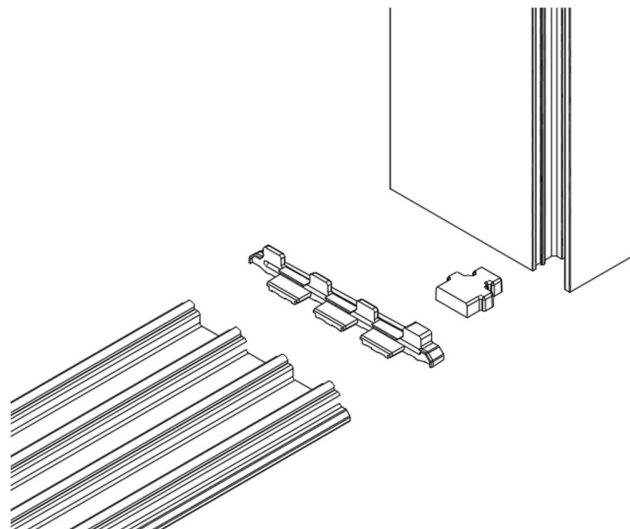


As shown at above picture, connection between two panels provided with carrier profile and against wind, dust and water, it is strengthen with brush seals which is placed two sides of connection parts.

Minimalist design of carrier profile does not disturb the integrity between indoor and outdoor.

While operating system each panel takes the other one and this carriage provide by aluminum to aluminum instead of plastic caps. Thus you will never face with possible damages with plastic caps which is common failure of other sliding systems.

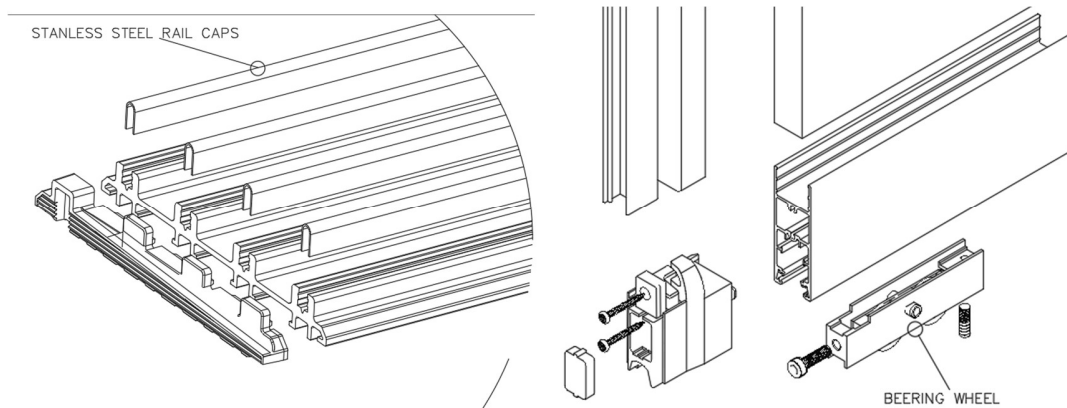
Side Post and Bottom Rail Connection



With corner conjunction kit, we are adding additional drainage against rain or snow waters. Thus water will not accumulate at corner parts and directly flow the outside area.

Stainless Steel Rail and Bearing Wheel

Bearing wheel operates perfectly over stainless steel rail cap and provide smooth sliding with minimum effort.

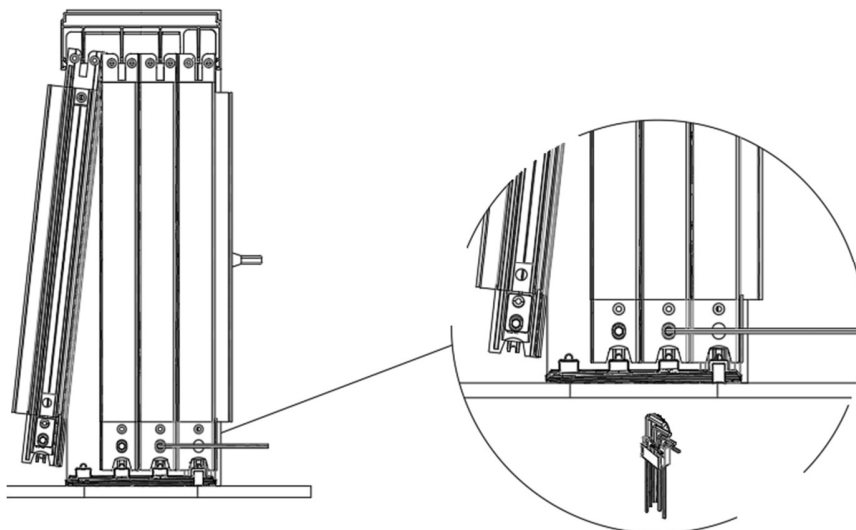


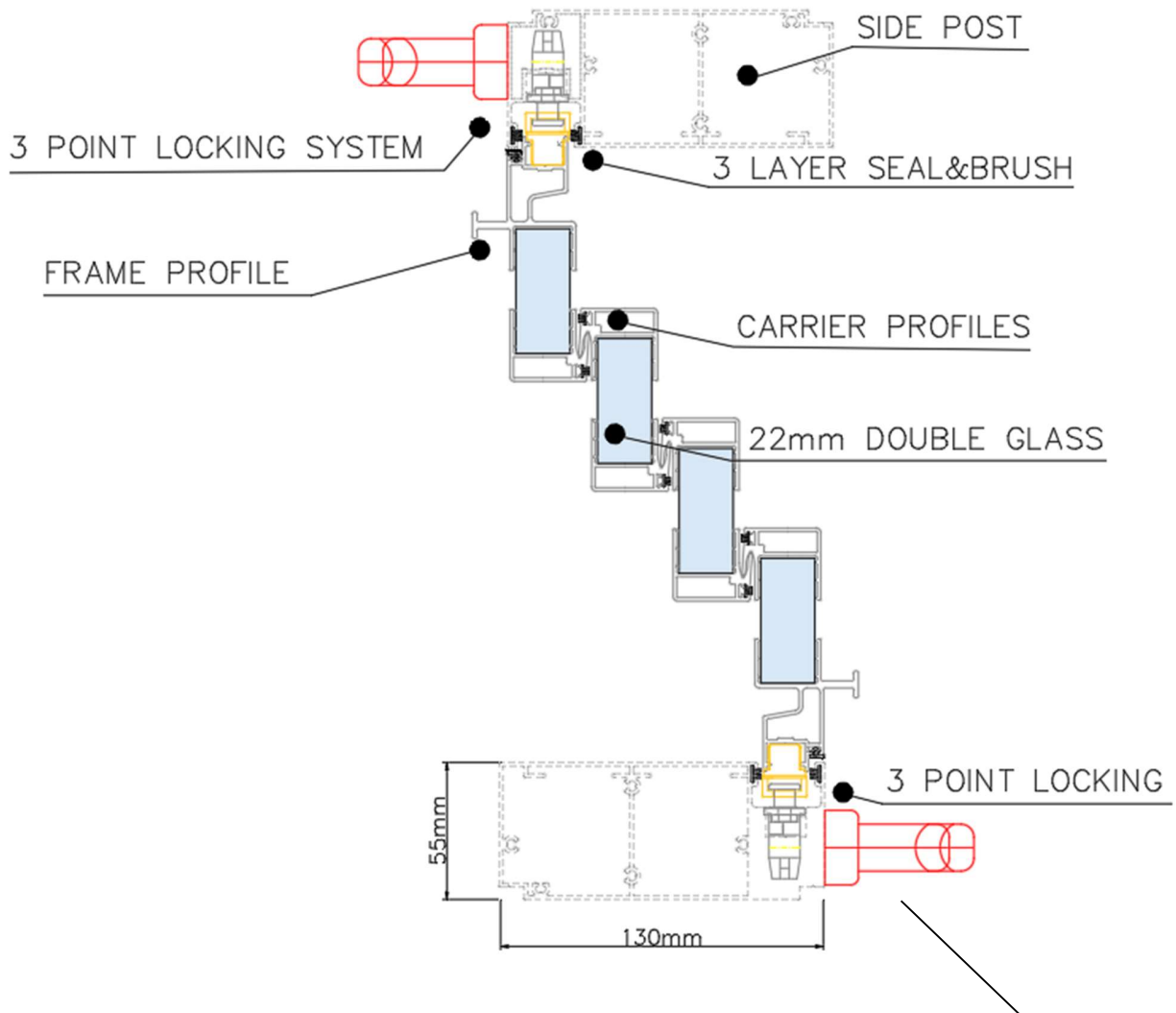
One bearing wheel durable against 150 kg load and two pieces use at each panel. Maximum panel would be 1.20X3.00 meter at DELUXE **XL** and total weight of such a panel is 90 kg. Against 90 kg max load, the wheels at DELUXE **XL** durable against 300 kg load.

Stainless steel rail cap complementary component between panel and rail.

To compensate for structural variations, the integrated wheels can be height-adjusted by up to 5mm.

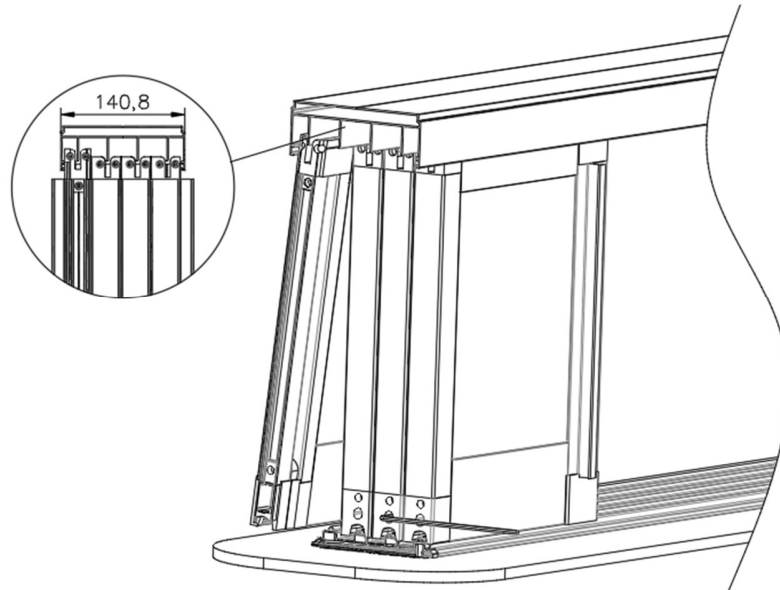
As optional, we offer extra plastic cap to provide full integration on closing and opening the DELUXE **XL**, each adjacent panel is automatically moved by the integrated follower panels.





Upper Rail Profile Cross Section

Guide wheel prevents possible shaking of panels inside upper frame. It also helps to provide smooth operation of DELUXE XL while opening and closing.



Bottom Rail Profile Cross Section

From ground to upper part of rail cap height is 15.5 mm and width of rail is 130 mm. Smooth movement of sliding panels by hidden wheels incorporating ball bearings with noise –inhibiting contact surfaces.

